

This paper was prepared by me after viewing the video by Louie Giglio where he talked about **Laminin**. The purpose is to show just a glimpse of how awesome is my God....*Tim Sattler*

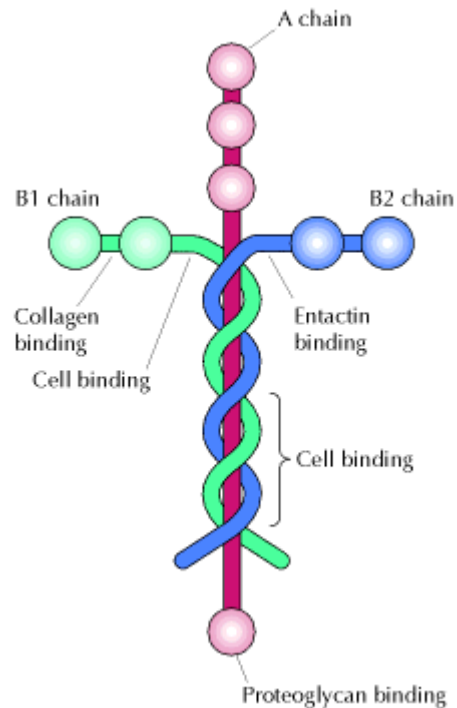
Laminin From Wikipedia, the free encyclopedia

Laminin is the major non-collagenous component of the basal lamina, such as those on which cells of an epithelium sit. Basically, **laminin** is a protein found in the "extracellular matrix", the sheets of protein that form the substrate of all internal organs also called the "basement membrane". It has four arms that can bind to four other molecules. The three shorter arms are particularly good at binding to other **laminin** molecules, which is what makes it so great at forming sheets. The long arm is capable of binding to cells, which helps anchor the actual organs to the membrane.

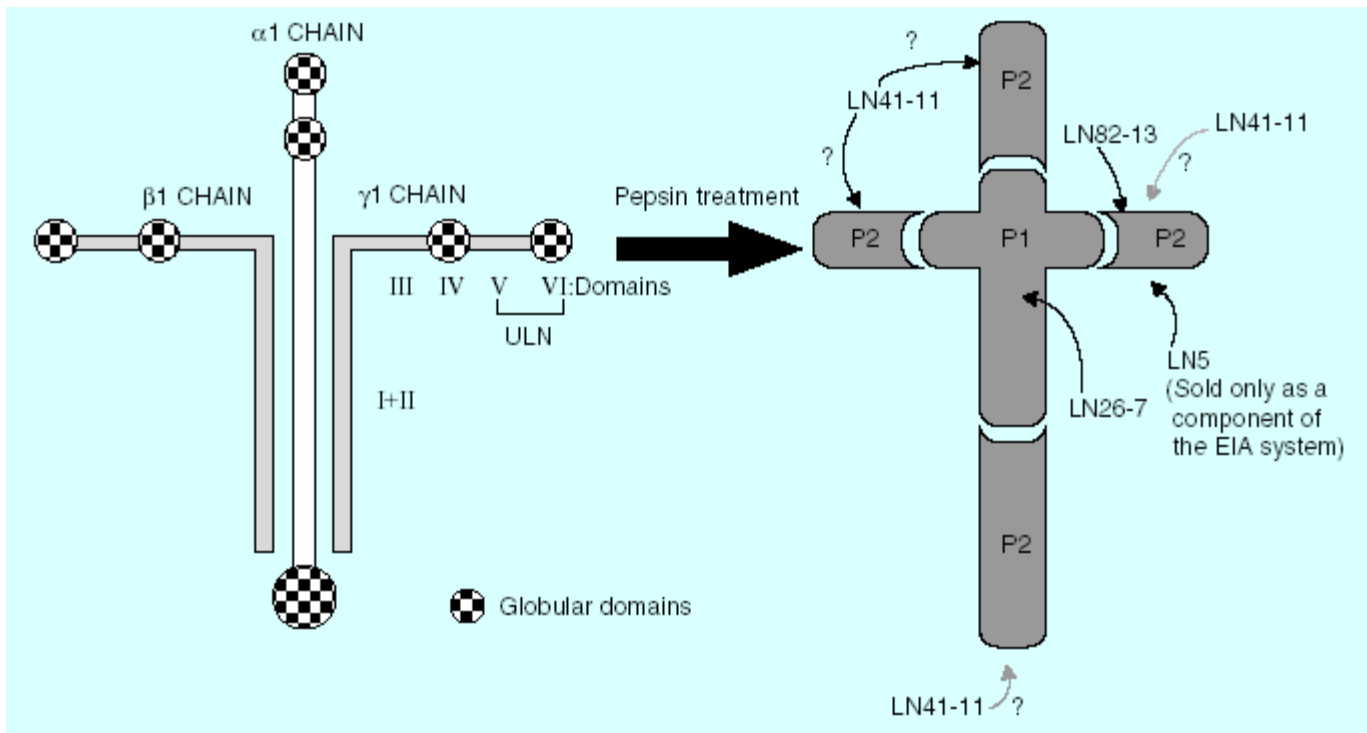
The **laminin** protein is made up of three separate parts, called the A, B1, and B2 chains. That gives it a total of six "ends", which accounts for a lot of its flexibility in connecting up various kinds of molecules. Because of this, scientists who create biomaterials are extremely interested in the whole family of laminins. They are a family of glycoproteins that are an integral part of the structural scaffolding in almost every animal tissue. **Laminins** are secreted and incorporated into cell-associated extracellular matrices.

Laminin is vital to making sure overall body structures hold together.

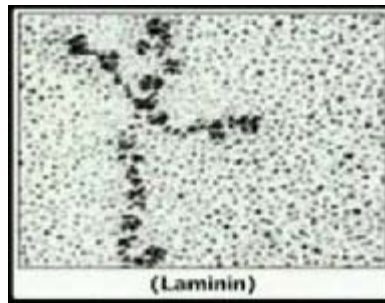
Here is a scientific diagram of what **laminin** looks like.....



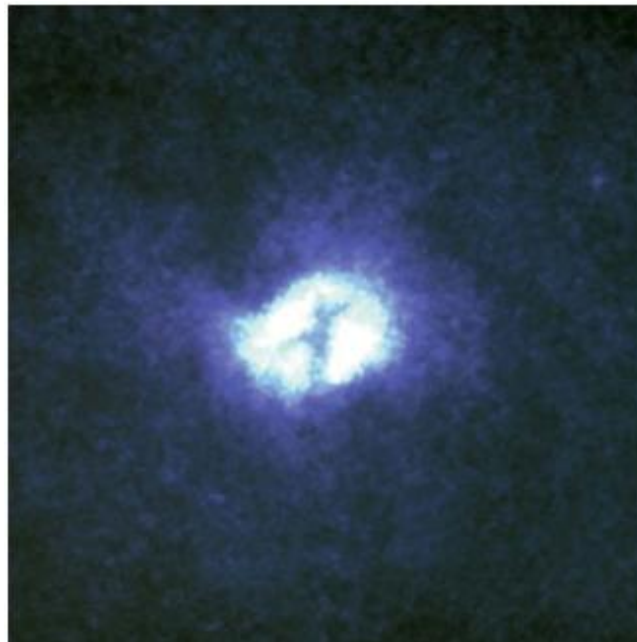
Here is another scientific diagram of what **laminin** looks like.....



An electron micrograph of EHS-**Laminin**, for example, looks like this:



This is a photograph taken by the Hubble Space Telescope. It is of the center of a black hole in a galaxy millions of light years from Earth.



Colossians 1:16-17

- ¹⁶ For by him all things were created: things in heaven and on earth, visible and invisible, whether thrones or powers or rulers or authorities; all things were created by him and for him.
- ¹⁷ He is before all things, and in him all things *hold together*. (NIV; emphasis is mine)